



WHAT DO YOU NEED?

OTWIERANE.pl
funkcjonalne rozwiązania dla domu i ogrodu



TIME

It takes several minutes to install a single span for a person who is doing it for the first time. Measure your time and see for yourself!

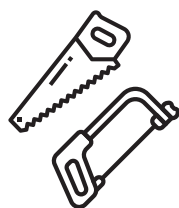


SCREWDRIVER OR DRILL-DRIVER

A drill-driver with the right bit/end will be most convenient. Don't have one? Don't worry! Use a screwdriver.

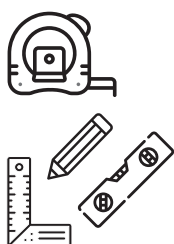
SAW

For boards - a wood saw.
For handles - a metal saw blade.



Starting the assembly, (Fig. 1) the ends of the guides of the first handle from the bottom need to be trimmed. In the same way, when the upper handle is too high for your needs - you can shorten it (Fig. 3.1). This way you can save on the number of sets of handles needed for a larger installation.

You can also cut the boards from a set bought from us to the required size (Fig. 6!). Before cutting, always subtract 3.5cm from the width of the board - this is how much both handles take up.



TAPE MEASURE + PENCIL*

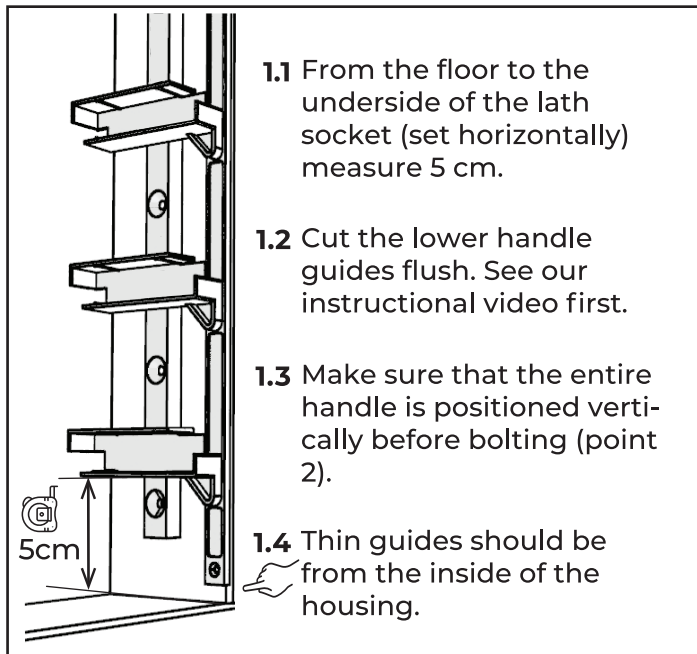
It definitely makes it easier to align the first handles evenly. The rest is modular and involves tightening more pieces.

*Catchet and spirit level may also come in handy.

INSTRUCTIONS FOR SELF-ASSEMBLY

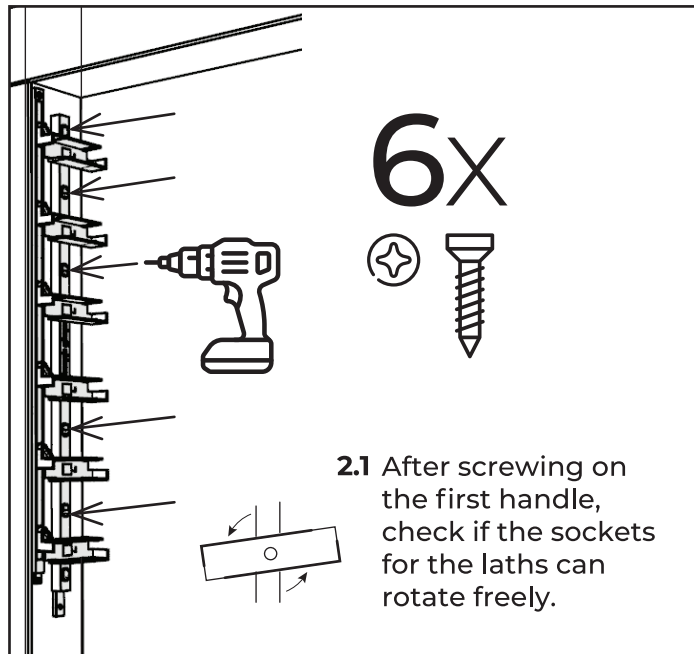
1

Start mounting 5 cm above the floor. The first handle from the bottom requires trimming the guides. See the video (QR code in the corner of the instruction) to see how easy it is to do this.



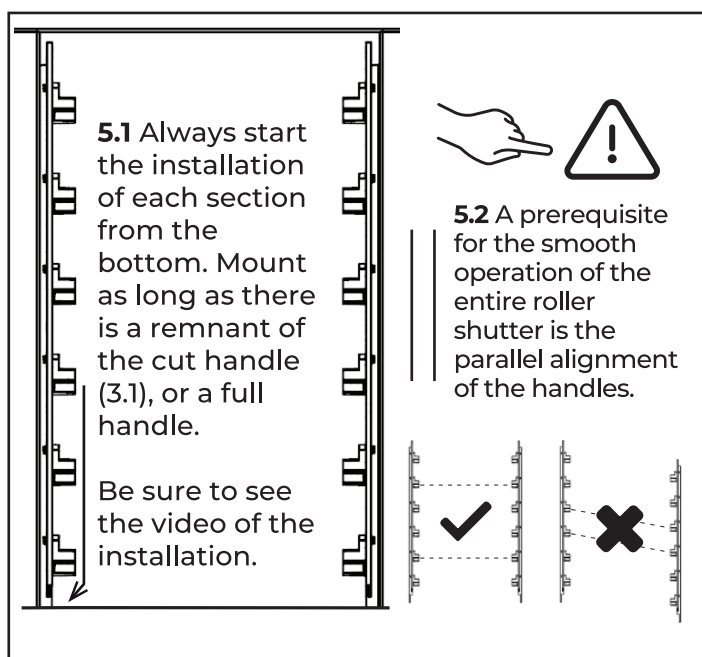
2

Using a drill-driver or a screwdriver, screw the thicker guide to one side of the frame with screws (choose the type that suits your needs).



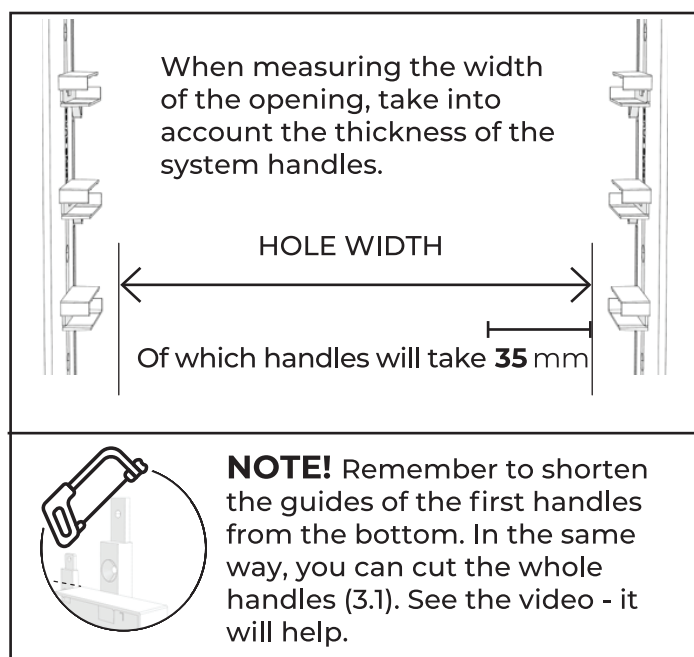
5

Repeat the steps from steps 1-4. Screw on the other side of the frame another set of handles. Make sure they are aligned evenly with each other.



6

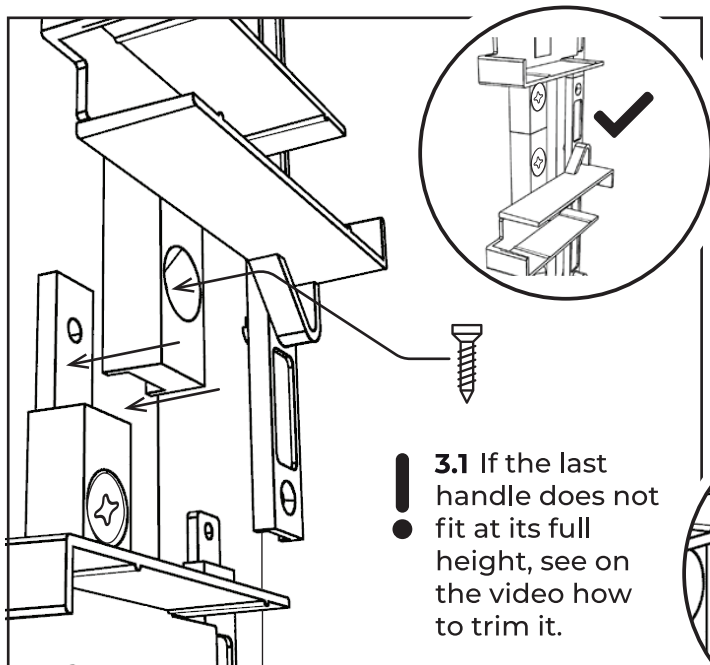
If you cut the boards ordered from us to size yourself, remember that both handles (left and right) take up a total of 35 mm.



INSTRUCTIONS FOR SELF-ASSEMBLY

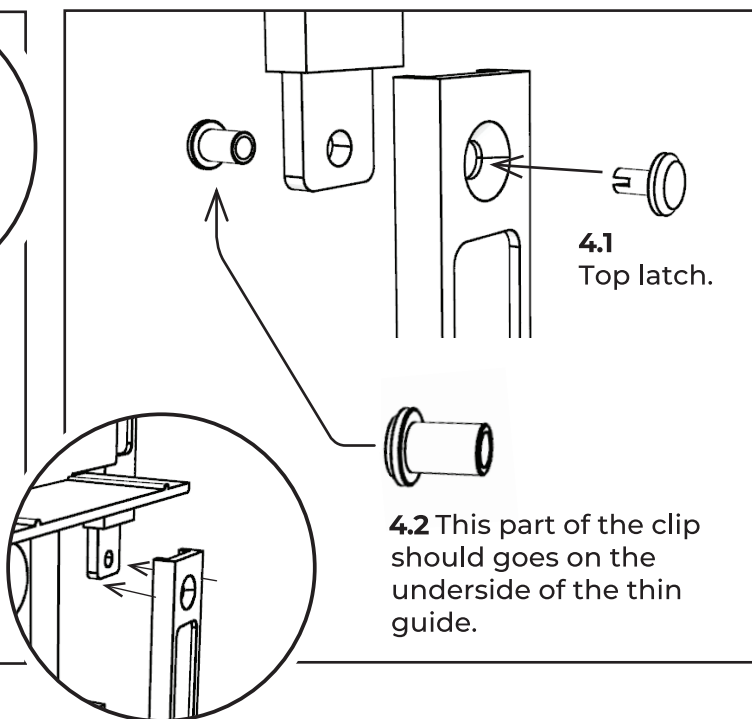
3

Add another handle, overlapping the screwed one. Screw handles together to the frame through the matching hole.



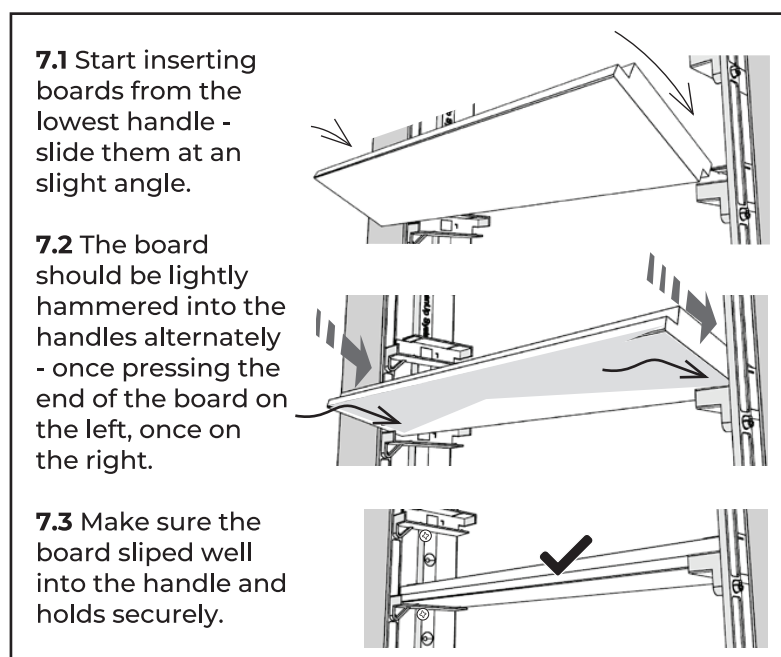
4

Connect the thin guides together using the added clips. Place the part of the pin with the slot on the underside of the thin guide.



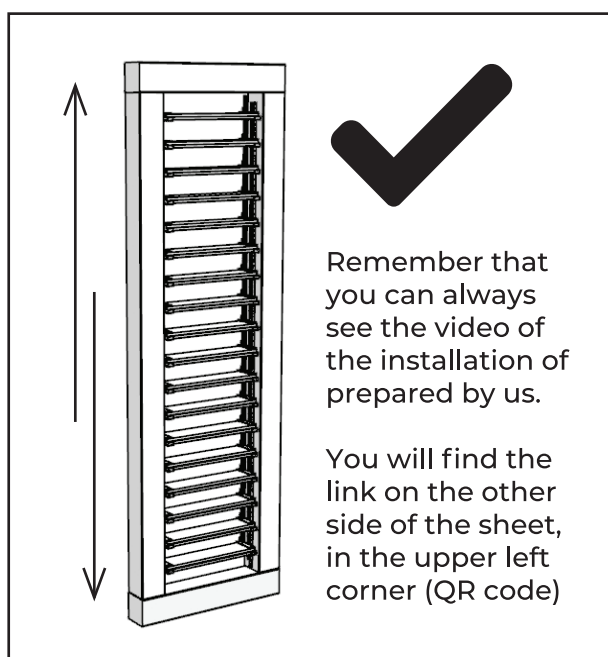
7

When all the guides are screwed on, slide the boards into the holders. Check that the boards fit well.



8

Done!
Check that the entire shutter opens and closes smoothly.





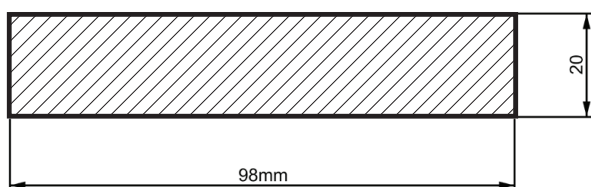
See video instructions

ADDITIONAL INFORMATION

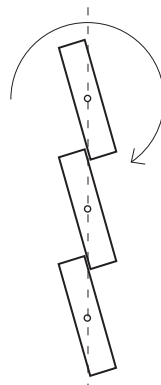
For those who want to assemble the kit themselves

Boards that fit our handles:

Straight board - without milling



Dimensions of the boards that fit the handles

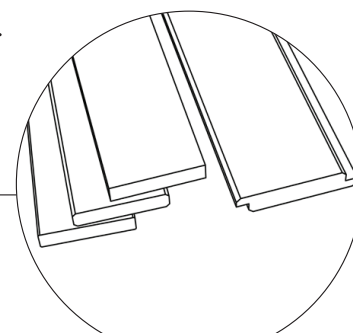


An ordinary, simple board inserted into our handles also folds.

However, it will not provide a flat surface. You will get an "overlapping" effect.

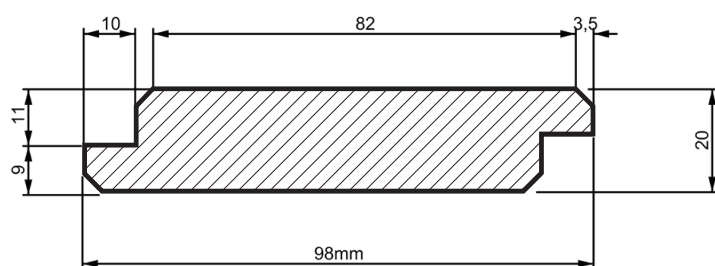
If you bought only the movable brackets of our production, you can use in them also the boards you have.

A board with a width of **98mm** and a thickness of **20mm** will fit well.

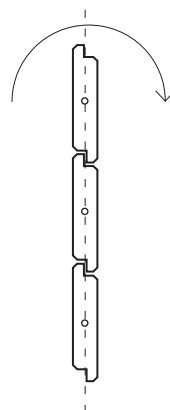


Matching board types

Specially milled board



Cross-section view of our boards fitting to our handles



Milled board allows you to create a perfectly flat surface

Remember!

When calculating how long the boards should be, take into account that the handles will take up **3.5cm**. Do not press the boards with excessive force into the handles. When using simple boards without a cutter, protect your hands from sharp edges while working.

ADDITIONAL INFORMATION

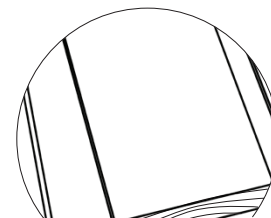
For those who want to assemble the kit themselves

FAQ:

Remember!

Proper impregnation is the key for success.

If you paint the boards yourself with wood preservative, do not forget to protect their stiles very carefully. Wait as long as the impregnant producer indicated and cover them several times. It is precisely the place of transverse cutting of the board that exposes it to moisture. In extreme cases, it can lead to warping of the board and affect the work of movable blinds.



Take care of the impregnation of the end of the wooden board

Is it possible to shorten the handles?

Yes, the handles can be shortened anywhere between the board slots, without affecting their proper operation.

Cost-effective installation: If you have a piece of the bracket from the shortening of the slide to the top, use it to start building the next section from the bottom. This will reduce the number of sets of handles needed. The video shows how to do this.

Is it possible to join handles?

Yes, it is possible to join handles. If you buy more than one set or set of handles, you will receive clips to combine them into a larger whole.

What is the maximum length of the slats?

110 cm for wooden boards, 200 cm for aluminum lamellas, these are the recommended maximum lamella lengths.

Manufacturer's comments

E-mail: b2b@otwierane.pl

Otwierane.pl is not responsible for damage to products caused by their improper use, including using boards that do not comply with the manufacturer's specifications. Boards longer than indicated in the product description, which is available on www.otwierane.pl/sklep, shall be attached by customer at his own responsibility, and the handles used this way are not subject to warranty. The seller is not responsible for damage to the boards resulting from their improper use. The list of exclusions is available in the "terms and conditions" tab on the manufacturer's website - www.otwierane.pl.

Before installing the boards, we recommend impregnating them with dedicated protective agents (against moisture, fungi and insects). The boards which are used for installing movable external blinds should be treated with dedicated protective agents in accordance with the manufacturer's instructions.

You can buy ready-made kits, parts and components in our online store:

www.otwierane.pl